

High Power Amplifier

Radioville®

Specifications



Frequency Range:	824-849 MHz, 869-894MHz (25MHz BW)
Gain (small signal at +25 degree C):	34 +/- 0.5dB (Base plate temperature of +45 degree C)
CDMA Adjacent Channel Power Rejection @ -34.5dBm (RBW:30KHz, VBW:3KHz, Avg 16)	750KHz offset from fo, in a 30KHz integration BW: -45dBc 1.98MHz offset from fo, in a 30KHz integration BW: -65dBc
Output Power:	34.5dBm @CDMA 3FA
IP3:	56dBm, 32dBm/ Tone
Input/Output VSWR:	1.5 : 1
DC Voltage:	27V
DC Current:	1.5A
Operating Temperature Range:	-30 to +60 degree C
Relative Humidity:	5 to 95%
RF Connectors:	SMA(T)
Cooling:	Natural Convection
Size (Length x Width x Height):	100 x 100 x 20 mm

Model: RV-HPA1004L

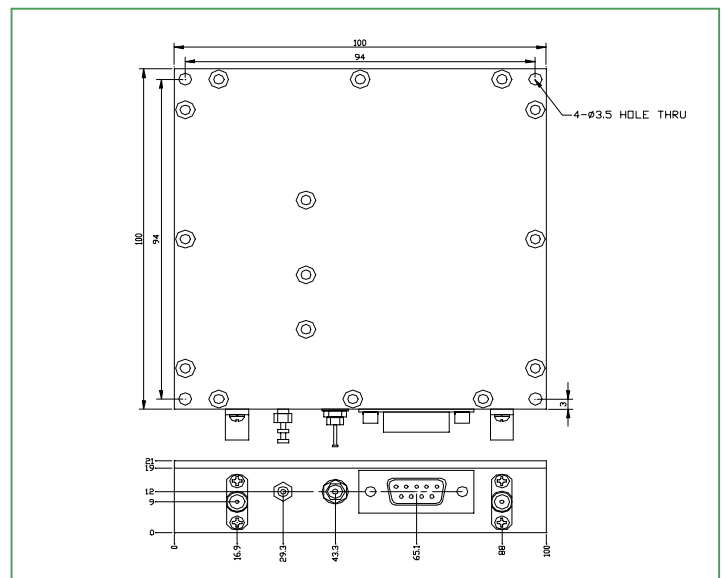
Frequency Band: Cellular

Power: 4W (1FA) , 3W (3FA)

Technology: CDMA

- Applicable for Base Station, Repeaters of CDMA800/900MHz Digital Cellular Network
- Compatible with IS-95B/C Specifications
- High Linearity & High Efficiency Design
- Compensated Temperature Characteristics
- Customized various alarm and protections

Mechanical Drawing



Radioville Co., Ltd.

Headquarter

621-3, Bakdaldong, Anyang,
Kyungkido, 430-803 Korea
Phone: +82 31 468 7654
Fax: +82 31 468 1688
E-mail: sales@radioville.com

USA Office

930E. Pico Blvd., Los Angeles
CA 90021
Phone: 213 749 3303
Fax: 213 749 3353
E-mail: chucklee77@aol.com



ISO9001 Certified

Please visit our web site at www.radioville.com