

Low Noise Amplifier

Radioville®



Specifications

Frequency Range:	1750-1780MHz
Noise Figure:	1dB, max
Gain:	27dB +/-1dB
Gain Flatness:	+/- 0.5dB
No damage Input Level:	-10dBm / total
Input VSWR:	1.3:1, max
Output VSWR:	2:1, max
LNA Fail Alarm:	Normal Low
3 rd Order Intercept Point:	34dBm @Pout=0dBm / tone
DC Voltage:	5V
Size (Length x Width x Height):	60 x 44 x 15 mm

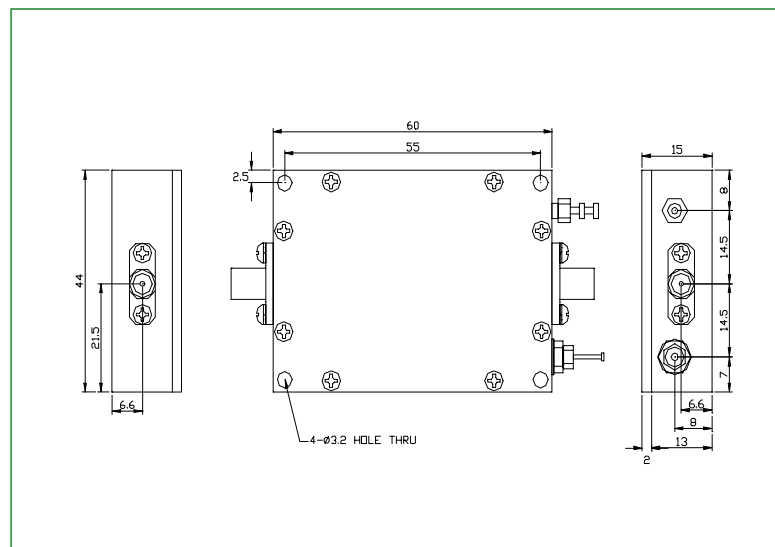
Model: RV-LNA2027

Frequency Band: PCS

Noise Figure: 1dB, max

Technology: CDMA

Mechanical Drawing



Radioville Co., Ltd.

Headquarter

621-3, Bakdaldong, Anyang,
Kyungkido, 430-803 Korea
Phone: +82 31 468 7654
Fax: +82 31 468 1688
E-mail: sales@radioville.com

USA Office

830E. Pico Blvd., Los Angeles
CA 90021
Phone: 213 749 3303
Fax: 213 749 3353
E-mail: chucklee77@aol.com



ISO9001 Certified

Please visit our web site at www.radioville.com